

# ZIP-RIB®

## ColorGard Snow Retention System

### Applications

Snow retention system for use with the ZIP-RIB roof system (Refer to PS-1 for more information). Mounts directly to the panel ribs with set screws eliminating through fastener attachments. Extremely high holding capacity used to prevent damage caused by sliding ice and snow.

Available for the Classic Rib (#305) Traditional Rib (#306) and ZIP-LOK panel systems (Refer to PS-2, PS-3 & PS-5 for more information).

Other applications for the S-5-Z & S-5-U clamp include guy wires, signs, rooftop walkways and solar panels.

### Assembly (ZIP-RIB)

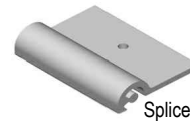
Attach S-5-Z leg clamps to every other panel rib with attached set screws. Cut ColorGard Crossmember to size required and bolt to the leg clamps. Install the 2" color strip to match the roof and one SnoClip at the center of each panel. Contact M&E for installation instructions.

Clamp spacing may vary. Some standard components may not be suitable for all applications. Contact sales & engineering for more information.

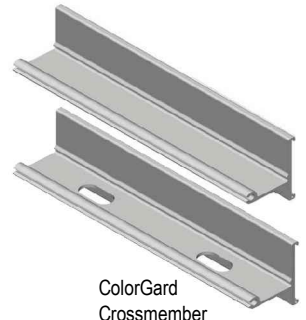
### Components

#### ColorGard Crossmember

8' lengths will accommodate a 2" wide pre-finished strip to match the roof system. Available with or without punched slots spaced every 4".



Splice



ColorGard Crossmember

#### Splice

Included with crossmember.

#### S-5-Z Clamp

Aluminum block. Use with ZIP-RIB panel system.

#### S-5-U Clamp

Aluminum block for use with the Classic Rib (#305) panel and the Traditional Rib (#306) panel.

#### SnoClip II & SnoClip III

Attached to ColorGard to prevent sliding of snow beneath the crossmember.

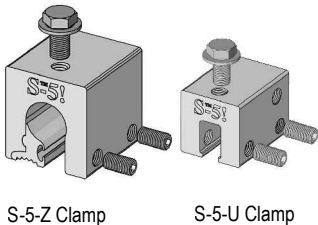
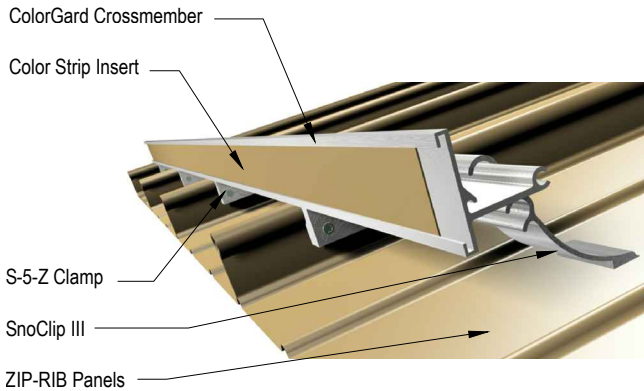
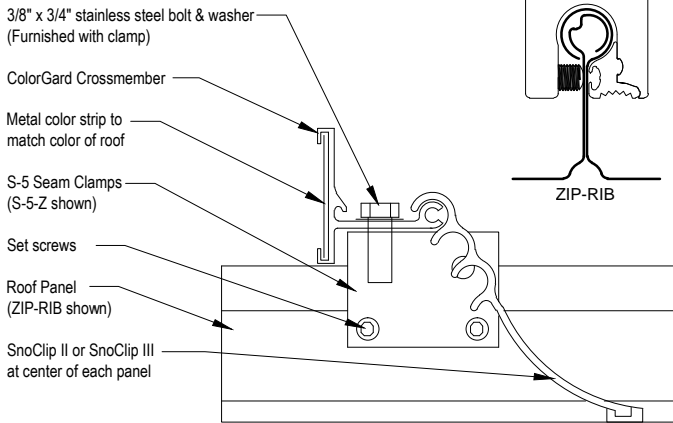
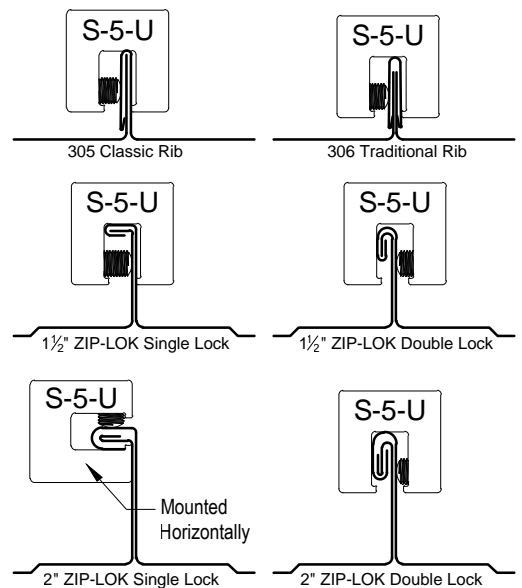
Use SnoClip II for Classic Rib (305) Traditional Rib (306), 1½" ZIP-LOK (Single or Double Lock) and 2" ZIP-LOK (Double Lock only)

Use SnoClip III for all ZIP-RIB profiles and also for 2" ZIP-LOK (Single or Double Lock)

#### VersaClip

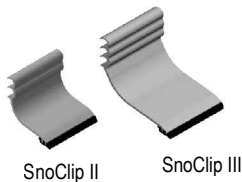
Used at uneven panel seam spacing such as valleys or diagonal eaves

#### S-5-U Connection to other profiles



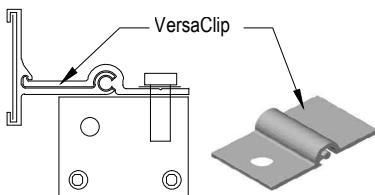
S-5-Z Clamp

S-5-U Clamp



SnoClip II

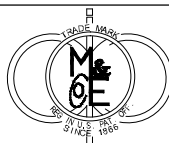
SnoClip III



VersaClip

Updated May 2013

Merchant & Evans, Inc.  
308 Connecticut Drive  
Burlington, NJ 08016



Phone: 800-257-6215  
Phone: 609-387-3033  
Fax: 609-387-4838  
www.ziprib.com